



Introducing Ganymede

Ganymede Network Button Station is a 1-gang device that can send UDP or OSC strings to other devices on your network.

This allows you to recall presets, fire macros, adjust audio levels, trigger building automation systems, and many other operations that expose simple network interfaces.



UDP/OSC Settings

#	Label	Inactive	Pressed	Active	OSC	IP 1	Port 1	IP 2	Port 2	String	Value
1	One				<input type="checkbox"/>	10.1.108.144	9000	10.1.108.144	53000	/cue/1/go	1
	Long Press									/go	5
2	Two				<input type="checkbox"/>	10.1.108.144	9000	10.1.108.144	53000	/cue/2/go	Value
	Long Press									/go	Value
3	Three				<input type="checkbox"/>	10.1.108.144	9000	10.1.108.144	53000	/cue/3/go	Value
	Long Press									String Contents	Value

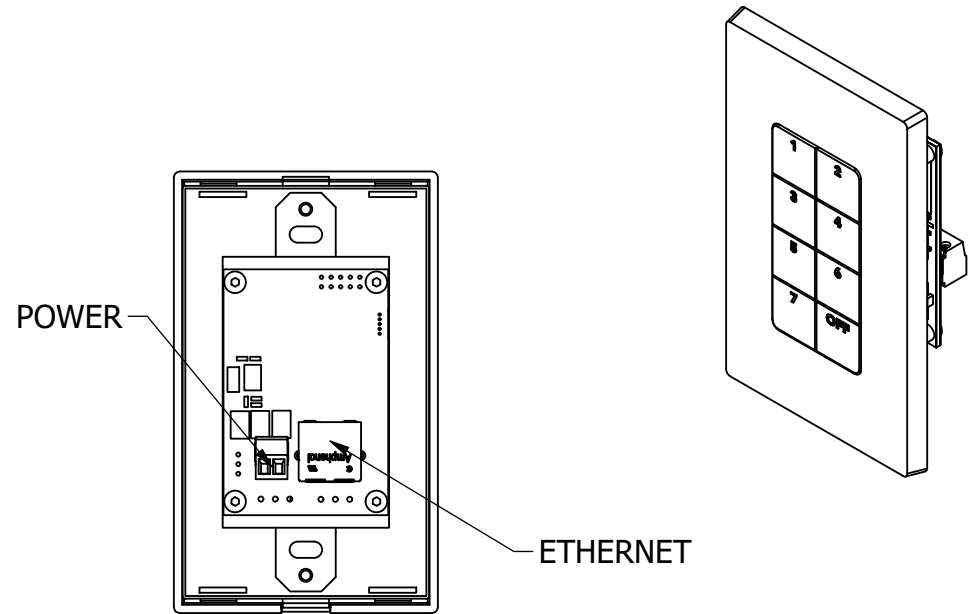
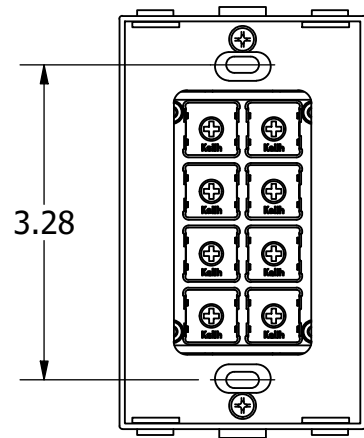
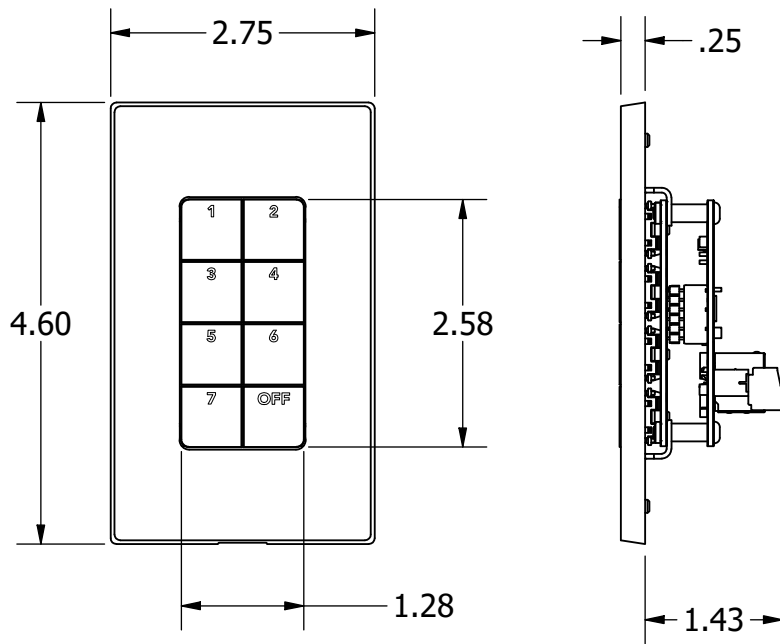
Key Features

Specs:

- 8 RGB-backlit buttons
- Fits in a standard 1-gang backbox
- Standard RJ45 ethernet connector
- Power is either PoE (802.3af or 48V passive) or 10-50V
- Standard in white or black with screwless cover plate
- Custom colors and engraving available

Features:

- Programs through a simple web interface on the device itself, no external software needed
- Buttons can send one message to one or two IPs, allowing messages to be sent to both the primary and backup controller
- Button color changes can be triggered by button actions or remotely via OSC messages
- Button colors can be individually programmed



PRODUCT NOTES:

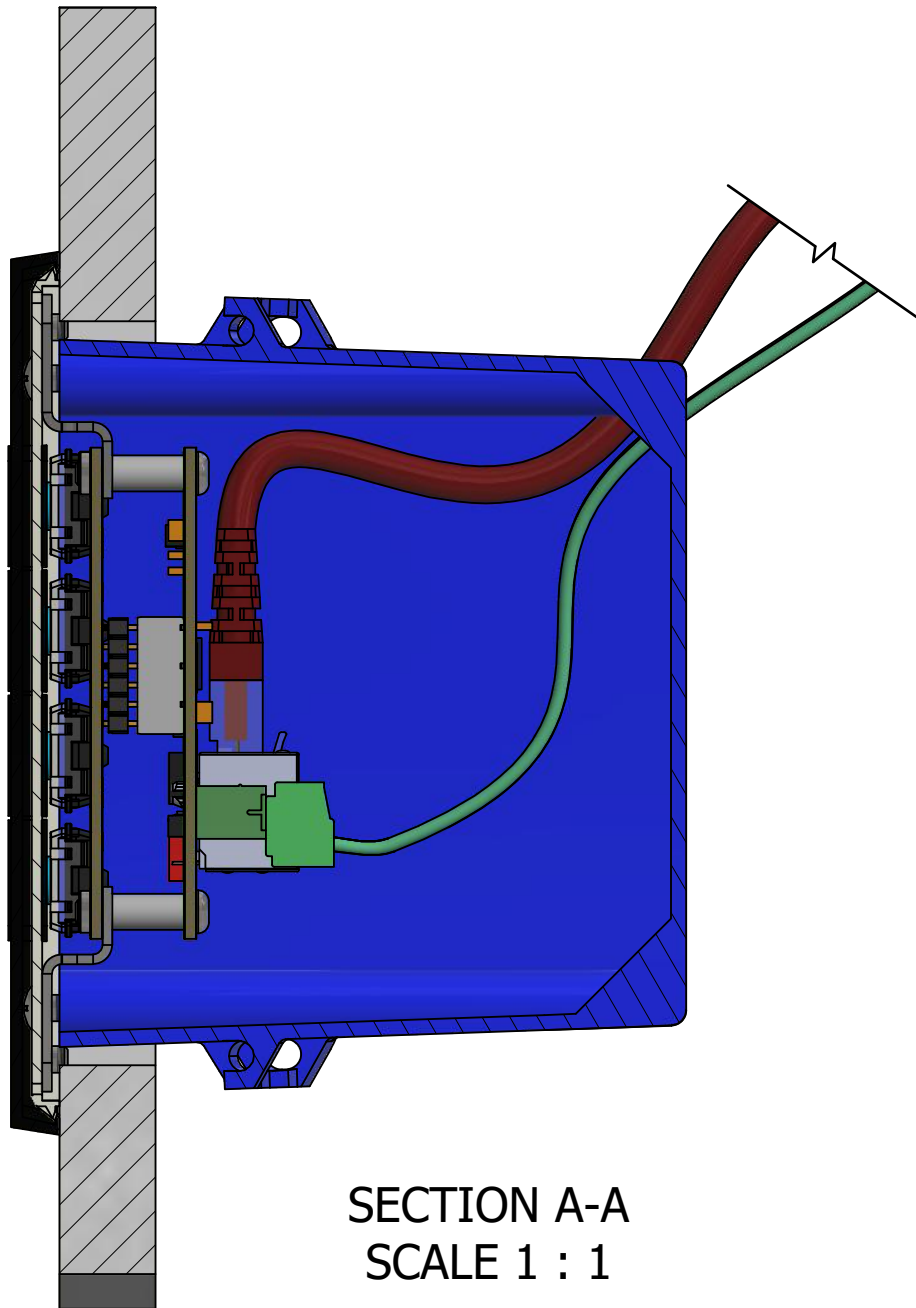
- FITS STANDARD PVC & SHEET METAL GANG BOXES; NO SPECIAL BOX REQUIREMENTS
- USES STANDARD DECORATOR-STYLE FACE PLATES - 1 GANG INCLUDED, 2 OR 3 GANG AVAILABLE
- STANDARD NUMBERING INCLUDES 1-7 AND 'OFF'
- CUSTOM ENGRAVING AVAILABLE

DRAWN
Elliot Queale 7/31/2022
CHECKED
B. Peoples 8/2/2022

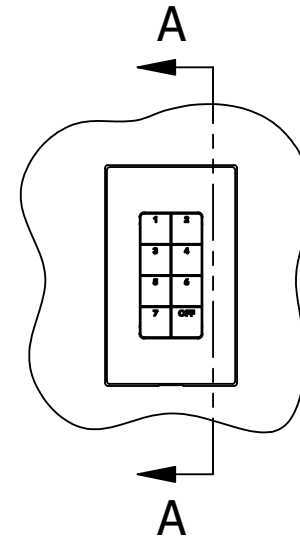
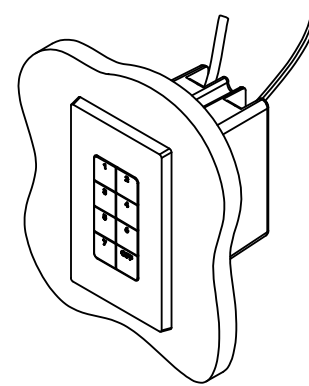
TOLERANCES
(UNLESS NOTED)
X.X = ± 0.1
X.XX = ± 0.05
X.XXX = ± 0.005

**BEN PEOPLES
INDUSTRIES**

TITLE
Ganymede
REV 6 SCALE 1 / 2 SIZE LTR SHEET 1 OF 2



SECTION A-A
SCALE 1 : 1



DRAWN
Elliot Queale 7/31/2022
CHECKED
B. Peoples 8/2/2022

TOLERANCES
(UNLESS NOTED)
X.X = ± 0.1
X.XX = ± 0.05
X.XXX = ± 0.005

**BEN PEOPLES
INDUSTRIES**

TITLE	Ganymede		
REV	6	SCALE	1 / 4
		SIZE	LTR
			SHEET 2 OF 2